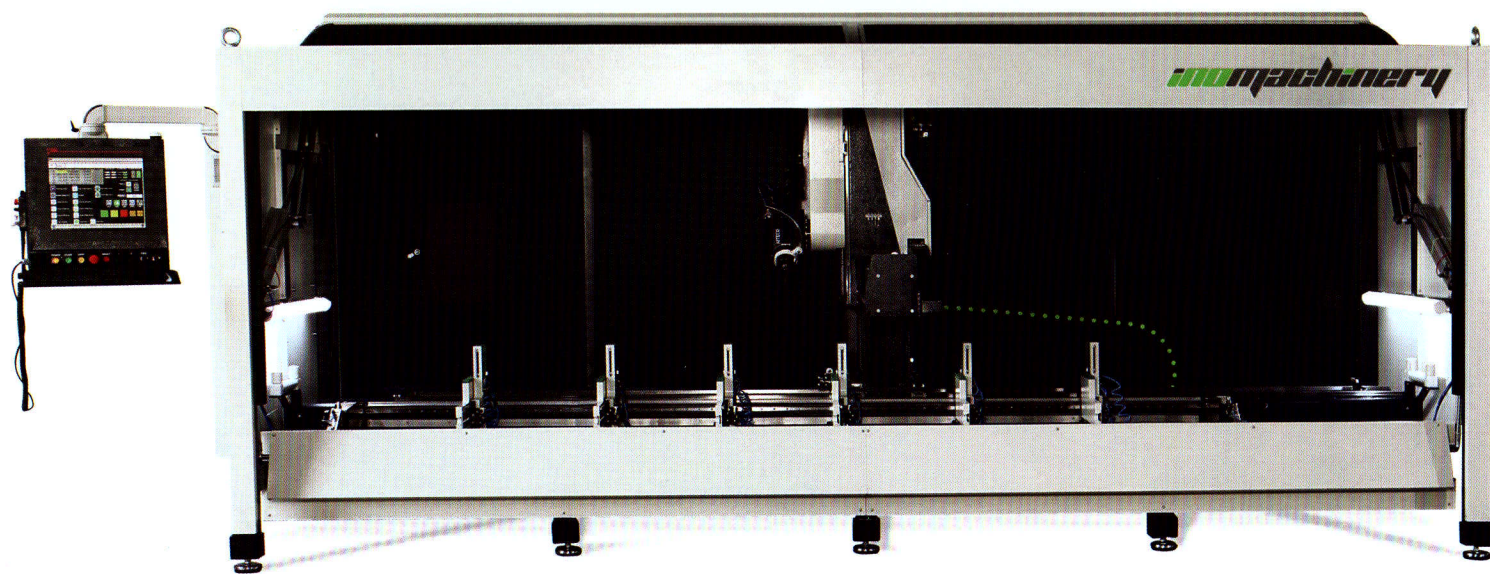


CALIFORNIA

4-AXIS CNC PROFILE MACHINING CENTER



MACHINE DESCRIPTION

Cabin type 4 Axis CNC Profile Machining Center equipped with a high speed spindle that can rotate between 0°-180° independent from the drive, automatic tool changer magazine, profile clamping devices, pneumatic reference pins and 3D programming software. Super-Ergonomic design for the use of operator.

Body: All machined metal profile structure. Thermally treated vibration free.

Spindle: 7.5 kW 0 - 24.000 rpm adjustable ISO 30 with ceramic bearings, air-cooled. Tilting at any angle between 0°-180°.

Automatic Tool Changing Magazine: Placed on the machine body with 7 positions of standard tools. The 200 mm notching blade is also placed inside.

Axis Information:

X-Axis: Brushless servo motor with gear moving on Helical Rack and Pinion and linear guides. V/max: 70 mt./min.

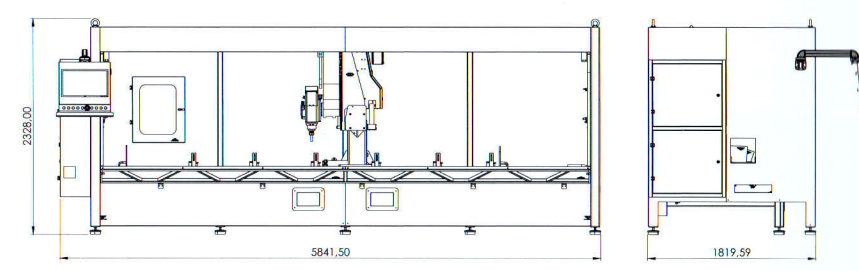
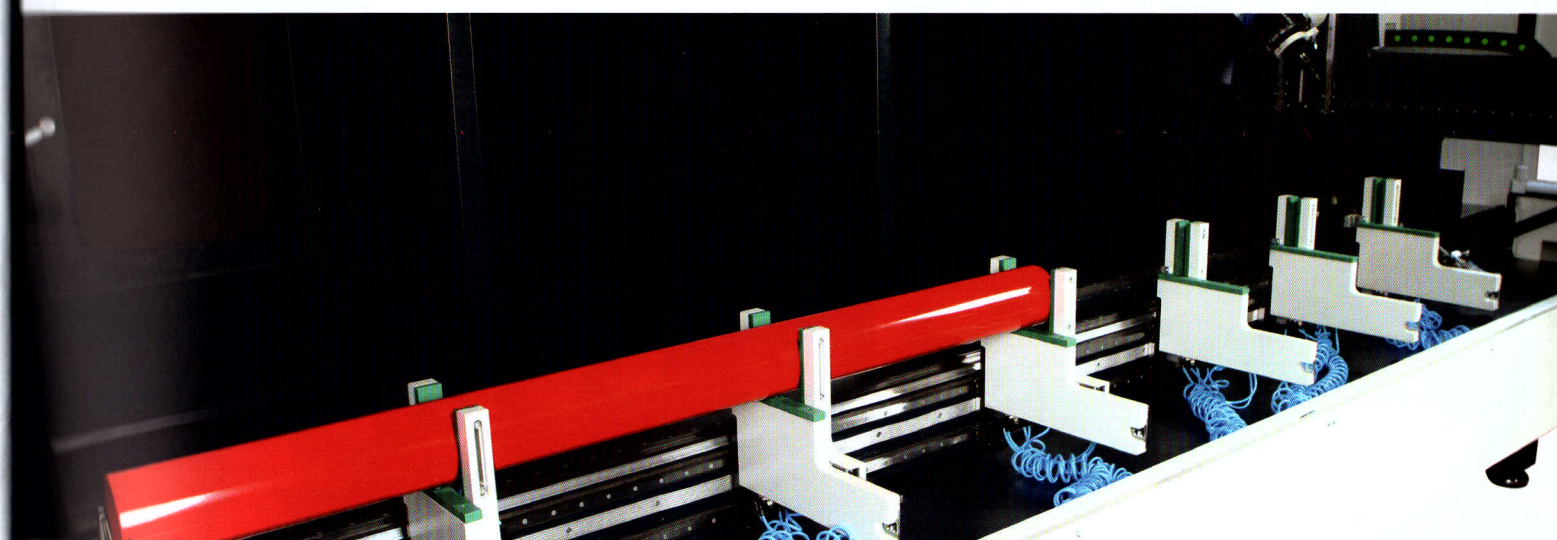
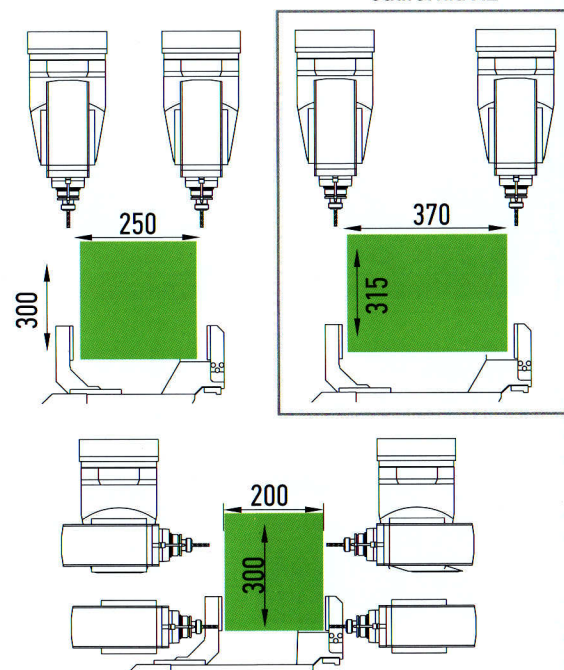
Y-Axis: Brushless servo motor with gear moving on Helical Rack and Pinion and linear guides. V/max: 60 mt./min.

Z Axis: Servo motor with brake system, moving on ball screw. V/max: 25 mt./min.

A Axis: Servo motor moving on harmonic cycloid reducer with zero backlash.

Profile Machining Length	: 4.200 mm
Profile Machining Dimension (top & front)	: 250 x 300
Profile Machining Dimension (top & front & back)	: 200 X 300 mm.
Maximum Tool Length	: 120 mm.
Maximum Tool Diameter	: 30 mm.
Maximum Disc Cutter Diameter	: 180 mm.
Total Installed Power	: 13 kW / 30A / 400V / 50-60 Hz.
Air Pressure and Air Consumption	: 6-8 Bar. - 50 L/min.

California XL



STANDARD EQUIPMENT

Thanks to the reference points placed at both sides of the machine, it is possible to process double the size of the net machining length. Manually positioned profile clamps. The number of the clamps are 6. The width of the clamps are adjustable and they are also suitable for fixture connection. 7,5 kw 24.000 rpm ISO 30 high speed spindle has an automatic tool changer magazine with 7 positions placed linear at the end of the machine.

Machine enclosure moving up and down automatically following the work cycle.

Pulse spray mist coolant system.

3D CAD-CAM software.

Windows based PC and 21.5" TFT-LED Screen.

OPTIONAL EQUIPMENT

Y-Axis 370 mm. machining width modification.

Automatic positioning of the clamps moved by the bridge.

Disc cutter 200 mm.

Extra clamping unit manually positioned.

Extra clamping unit automatic positioned.

Data import with barcode reader from window production softwares.

Tapping with encoder on the spindle.

Additional tool changer magazine with 15 positions.

8.5 kW 24.000 rpm HSK F63 spindle.

Air conditioning inside the electric panel.

